

Vertical



The standard shelving system.



vicolo





The standard shelving system Vic Global is made up of a steel structure that brings toughness and durability, but that can also serve for a distinctive customization.

This flexible and multi-purpose system, along with its abundance of accessories and color choices, allow for a variety of dimensional possibilities.



With designer creativity and the utility of the Vic Global system ... the possibilities are endless

Vic Global and your imagination, a perfect match to unlimited potential.



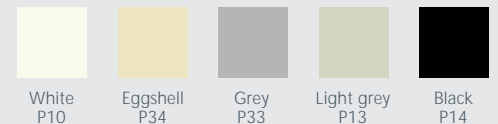
VIC GLOBAL is a system of solid and durable shelving, multi purposed, quick to install and easy to rearrange.

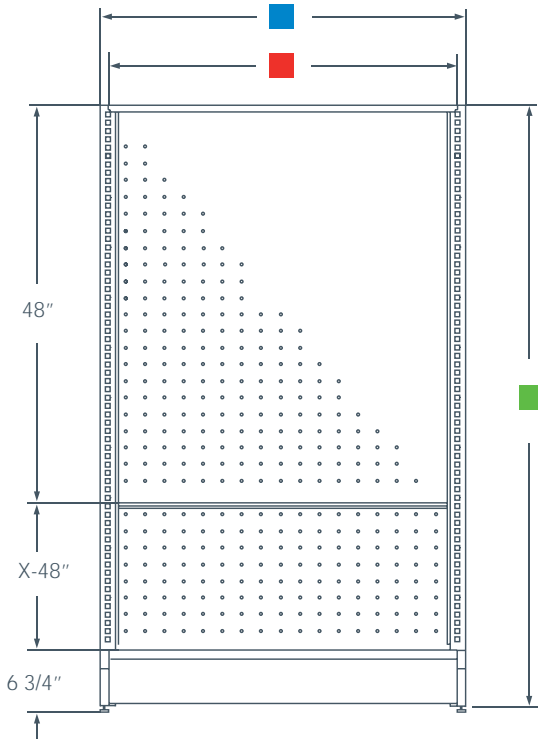
VIC GLOBAL is the result of an evolutionary system of multiple and practical features, such as the reversible shelf, shelf adjustments and quick-to-install baseboards.

SPECIFICATIONS

- Top Cap (22 GA) offers strength and stability preventing removal.
- The Panel Joint is used to maintain two (2) Back Panel sections
- Galvanized steel reinforced crossbar (22 GA)
- Galvanized steel back panel support (22 GA).
- Twenty (20) gauge steel kick plate black finish. Kick plate attachment now provide easier and quicker installation.
- Back panels offering a choice of three different finishes such as Pegboard (standard), Plain hardboard and Slatwall.
- Alloy steel Straight shelf support (12 GA).
- Patented perforated reversible shelf.
- Base cover (22 GA) black finish.

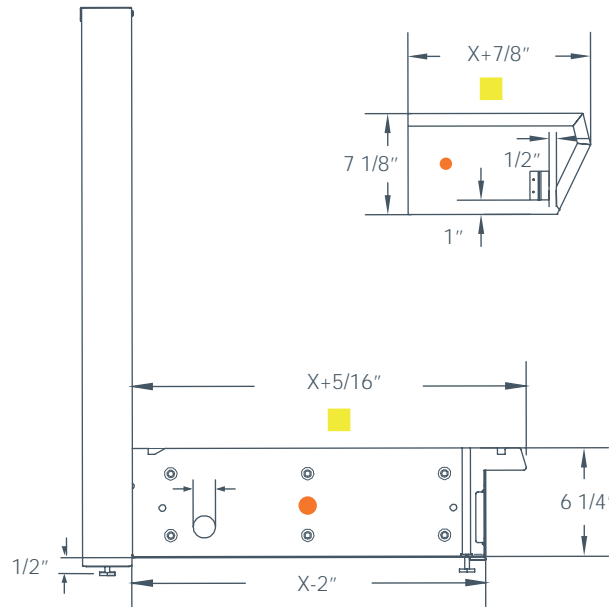
VIC GLOBAL STANDARD COLORS





■	Center to center width	24"	30"	36"	48"		
■	Overall width	25 5/8"	31 5/8"	37 5/8"	49 5/8"		
■	Height	48" 84"	54" 96"	60"	66" 72"		
■	Depth	8" 20"	10" 22"	12" 24"	14" 26"	16" 28"	18" 30"

BASE COVER



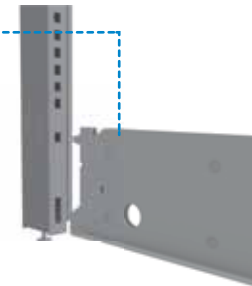
Patented perforated reversible shelf. (22 GA)

Tilted edge on one side of the shelf.

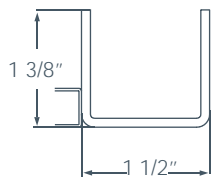
Ticket moulding of 1 1/4" on the other side.

Easily installed removable dual-foot (14 GA). Anchorage part also available to avoid the unhooking of the base foot.

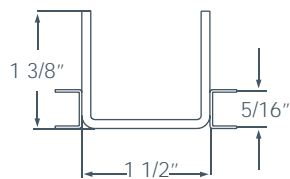
Adjustment mechanism under the post for more strength and quicker adjustment.



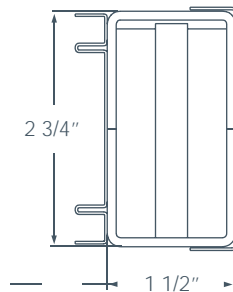
END SINGLE POST



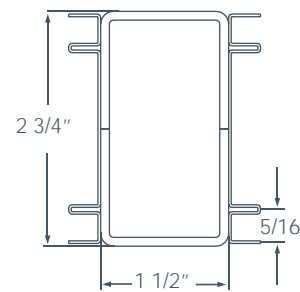
CENTER SINGLE POST



END DOUBLE POST

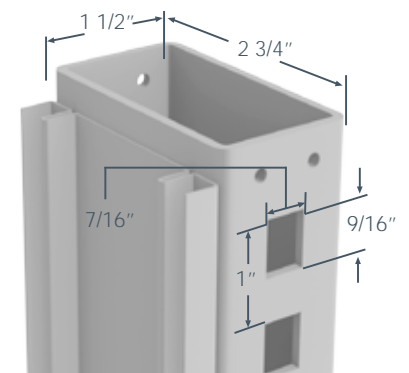


CENTER DOUBLE POST

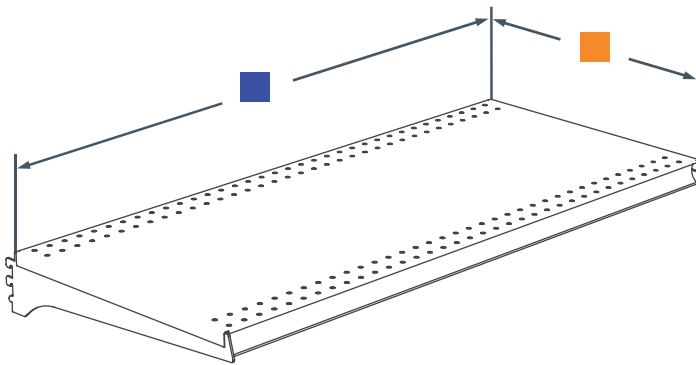


The Single Post allows the shelves to hang on one (1) side of the section only. (Used on wall section)

The Double Post allows the shelves hanging on both sides of the section. (Used on wall or central section)

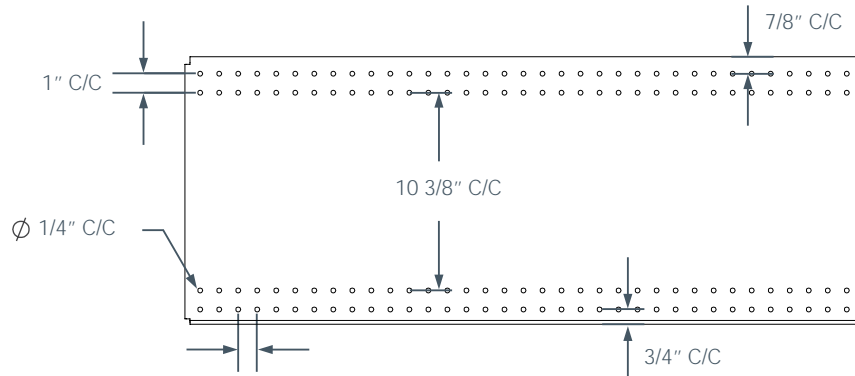


VIC STANDARD SHELVES

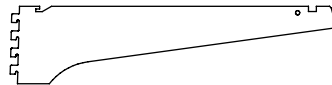


Width	24"	30"	36"	48"		
Depth	8" 20"	10" 22"	12" 24"	14" 26"	16" 28"	18" 30"

TOP VIEW



SHELF BRACKETS



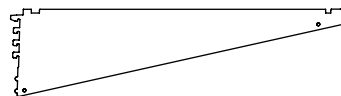
STRAIGHT

Twelve (12 GA) gauge steel straight brackets.



SLOPED

Twelve (12 GA) gauge steel sloped brackets.



HEAVY DUTY

Twelve (12 GA) gauge steel "Heavy Duty" brackets.

VIC GLOBAL SHELVES AVAILABLE

Steel Shelf



Convex Metal Shelf



Concave Metal Shelf



Wood Shelf

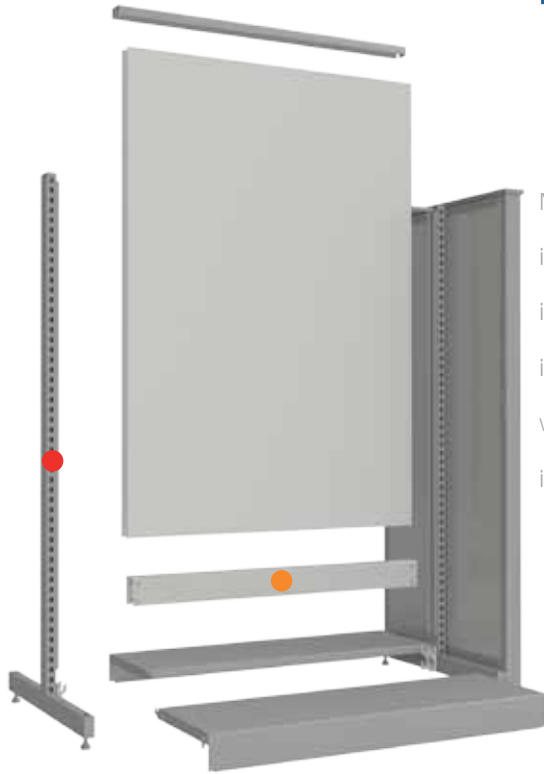


Glass Shelf
10mm



Glass Shelf
6mm with frame

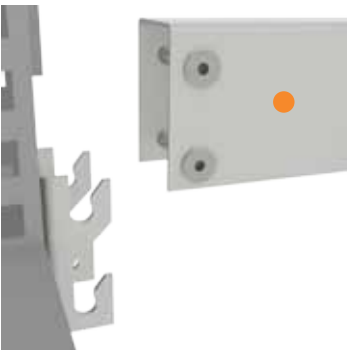




MOSAIC system stands out for its incredible flexibility and versatility. Our modules can be arranged in countless configurations in wood, glass or metal, and come in a wide variety of colors.

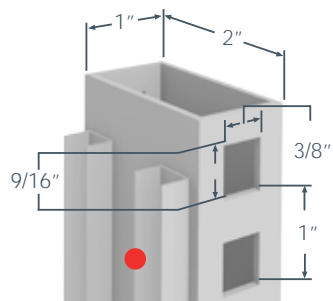


VIC LIGHT system offers retailers an alternative display system with a lighter look, but one that is just as practical and functional as a standard shelving system. Its lighter-looking structure allows it to better blend in with the other displays often used in store.

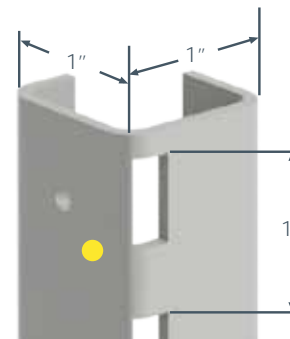


Crosspiece quick clip allowing to fix the post with solidity and stability.

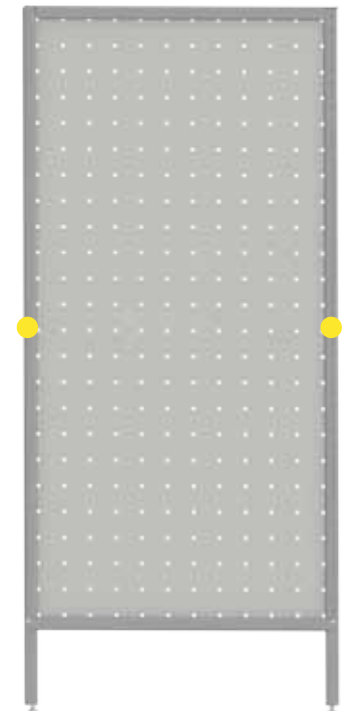
Slotted post (14 GA) 1" X 1" with regular adjustment intervals of one (1) inch.



Slotted post (14 GA) 1" X 2" with regular adjustment intervals of one (1) inch.



END PANEL



VIC STORE FIXTURES

Since 1955, **VIC** Store Fixtures designs and manufactures specialized modular store furniture sold throughout North America.

By focusing our efforts on the design and efficiency of our highly innovative products, we have markedly set ourselves apart from others.

Our capacity to combine multiple materials and production techniques confers **VIC** Store Fixture's products an incomparable value in today's market.

Vicstore FIXTURES

1440, rue Notre-Dame Ouest
Victoriaville (Québec)
Canada G6P 7L7

T. : 819 758-0626
F. : 819 758-8256

info@vicstore.com
www.vicstore.com



Vic Global is a registered trademark of Vic Store Fixtures.
All products and their names shown in this publication are property of Vic Store Fixtures. No unauthorized copying is permitted. © 2012 Vic Store Fixtures. All rights reserved.