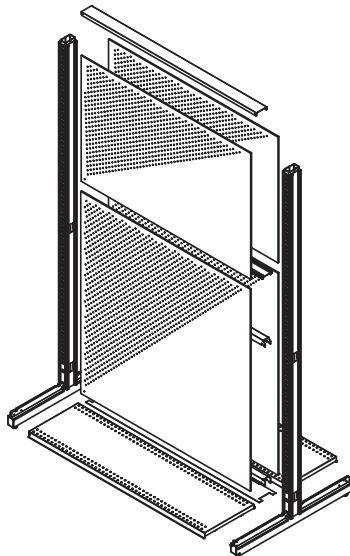


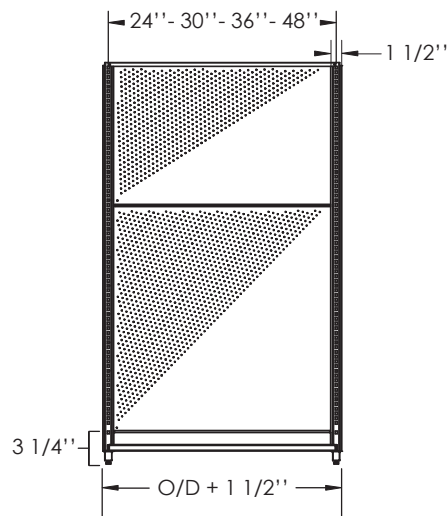
SPECIFICATIONS

- Modular system
- Choice of island or wall section
- Height adjustable from 48 to 96 inches to 6 inches
- Variable width of 24 to 48 inches
- May receive several options back (plain, grooved, grating)
- Tablets lowered base dimension of 12" to 24"
- Intermediate load capacity
- Compatible with Vic Accessories

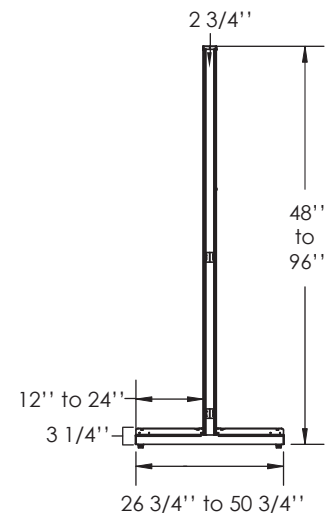
TOP VIEW



PROFILE VIEW



FRONT VIEW



Vicstore FIXTURES

1440, rue Notre-Dame Ouest
Victoriaville (Québec)
Canada G6P 7L7

T. : 819 758-0626
F. : 819 758-8256

info@vicstore.com
www.vicstore.com

MPG™