

High Velocity Gondola

A waved form island offering high velocity merchandising zones, allowing to optimize the management of the inventory.



Illuminated header for visual support, integrated to the structure.



End section display offering a wide variety of merchandising possibilities.



Ticket molding shelves allowing to display the information quickly and for easier management

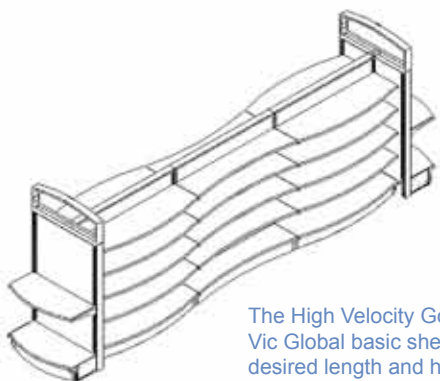


Vic Global standard island frame with choice of back panel and finishes including a lighted back.

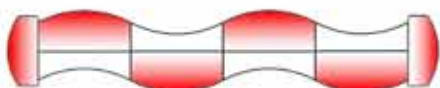
The Freedom to Adapt

TECHNICAL INFORMATION

High Velocity Gondola



The High Velocity Gondola is made of a Vic Global basic shelving structure of desired length and height with concave and convex curved shelves placed side by side.



The deeper convex section provides a bigger merchandising zone for the high velocity products.

The smaller concave section accentuates the feeling of movement while offering an ideal space for lower velocity products

SIR4812

Front ticket molding concave shelf,
48" long, 9" deep in the middle.
Complete with 12" brackets.



SOR4812

Front ticket molding convex shelf,
48" long, 15" deep in the middle.
Complete with 12" brackets.



High Velocity Gondola On Island or Wall Sections



500-01332

End section sign holder, 32" long,
12" high including mounting bracket
and inside lighting system.

Vicstore FIXTURES

1440, rue Notre-Dame Ouest
Victoriaville (Québec)
Canada G6P 7L7

T. : 819 758-0626
F. : 819 758-8256

info@vicstore.com
www.vicstore.com